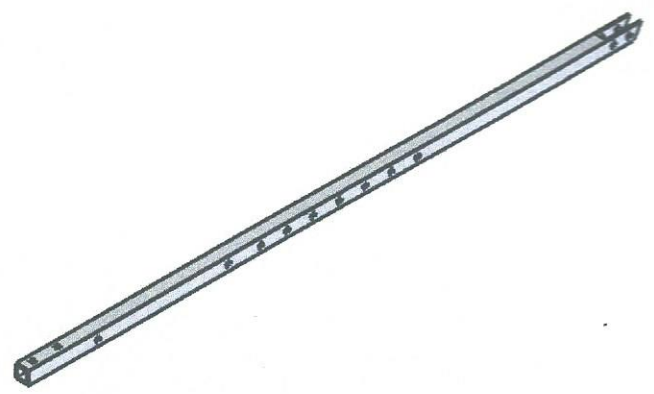
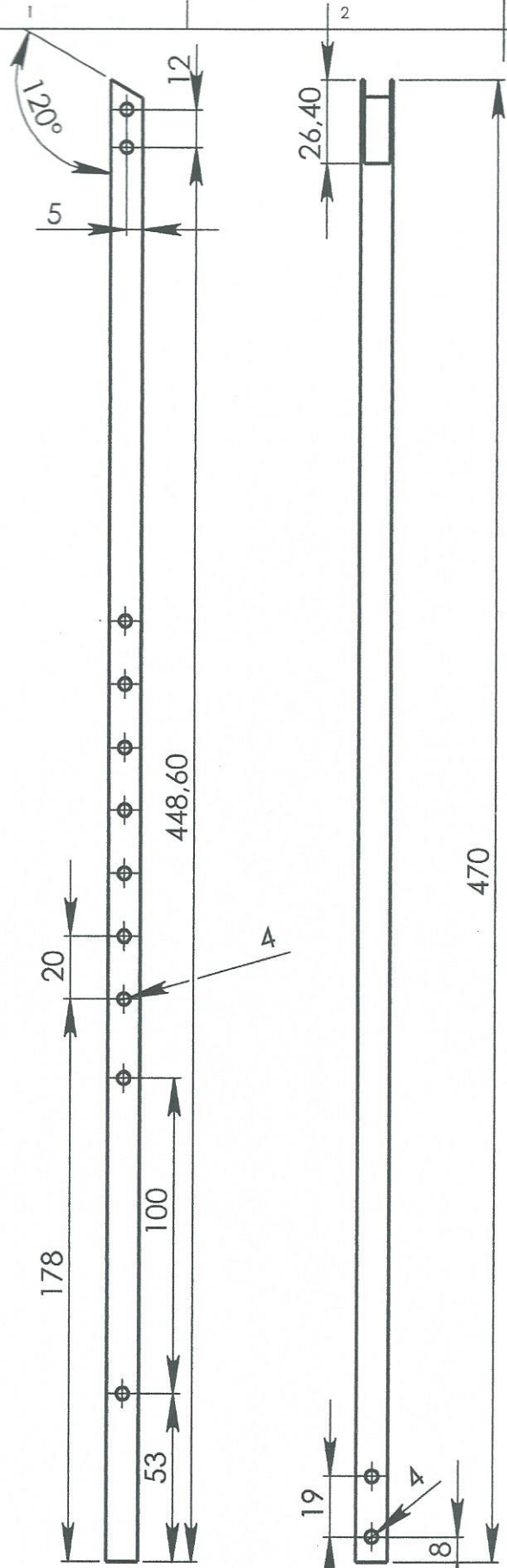


12	1	Corps cellule radio B					
11	1	Corps cellule radio A					
10	2	Fusée AR					
09	2	Bras AR					
08	2	Support bras AR					
07	1	Platine arrière plée haut					
06	1	Platine arrière plée bas					
05	1	Support mât					
04	2	Rasque pied de mât					
03	1	Fourche monobras					
02	1	Bloc fourche					
01	1	Longeron					
REP	ND	Désignation					
UNLESS OTHERWISE SPECIFIED:		FINISH:	Matière		DUREUR AND BREAK STAMP		
DIMENSIONS ARE IN MILLIMETERS					DO NOT SCALE DRAWING		
TOLERANCES:					REVISION:		
LINEAR:							
ANGULAR:							
DRAWN	NAME	SIGNATURE	DATE	TITLE			
CHKD							
APPVD							
MFC							
QA							
				MATERIAL:			
				WEIGHT:			
				SCALE: 1:10			
				DWG NO:	Chassis CAV		
				SHEET 1 OF 1	A3		

1/13



	NAME	SIGNATURE	DATE		TITLE:
DRAWN					
CHKD					
APPVD					
MFG					
Q.A				MATERIAL:	DWG NO.
					Longeron
				WEIGHT:	A4
				SCALE:2:1	SHEET 1 OF 1

3/13

1 2 3 4

A

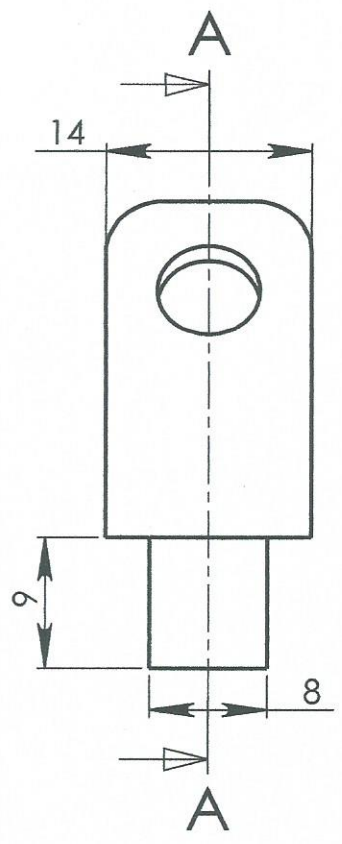
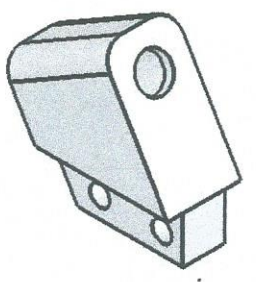
B

C

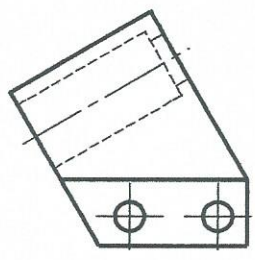
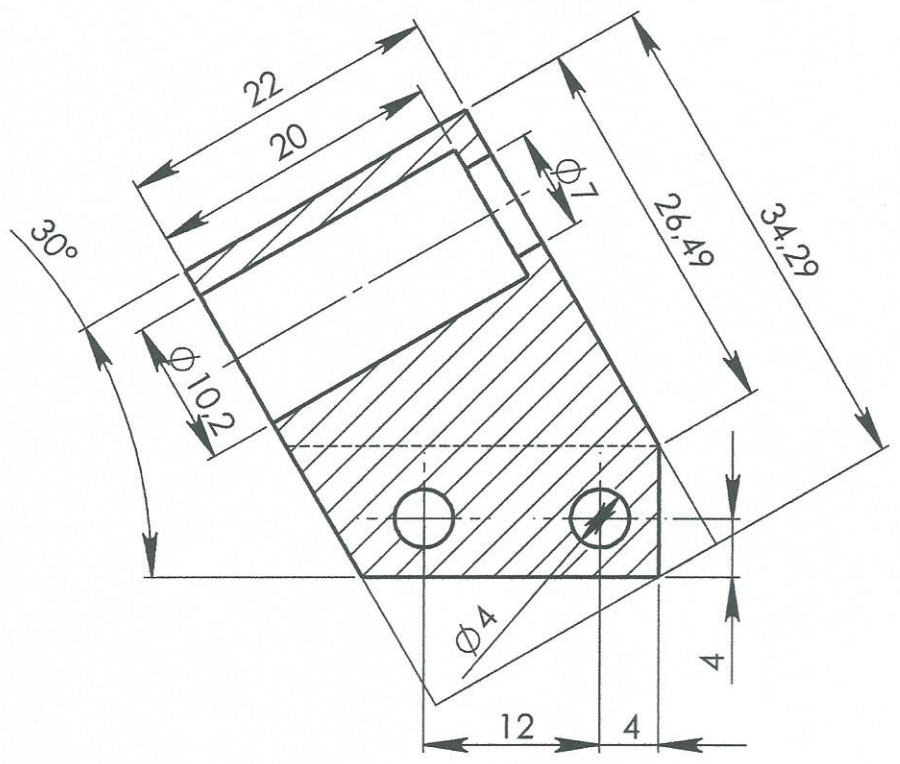
D

E

F



COUPE A-A



UNLESS OTHERWISE SPECIFIED:
DIMENSIONS ARE IN MILLIMETERS
SURFACE FINISH:
TOLERANCES:
LINEAR:
ANGULAR:

FINISH:

DEBUR AND
BREAK SHARP
EDGES

DO NOT SCALE DRAWING

REVISION

	NAME	SIGNATURE	DATE		
DRAWN					
CHK'D					
APPV'D					
MFG					

TITLE:

Q.A.

MATERIAL:

WEIGHT:

DWG NO. **Bloc fourche** A4
SCALE:2:1 SHEET 1 OF 1

4/13

1

2

3

4

A

B

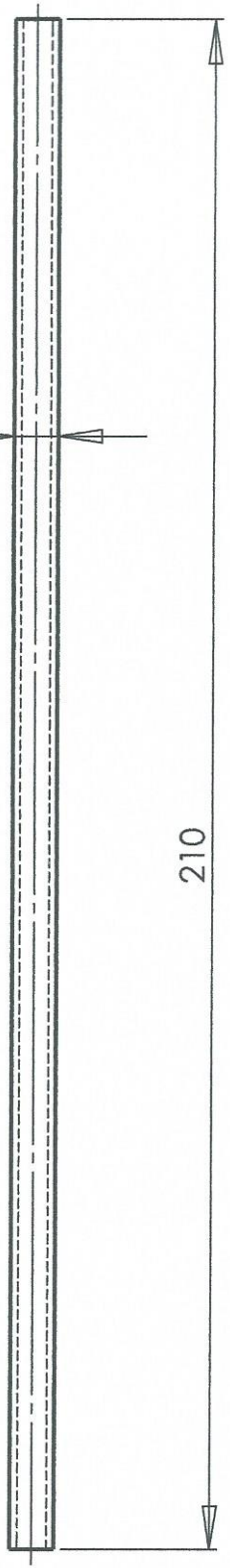
C

D

E

Ø6

210



UNLESS OTHERWISE SPECIFIED:
 DIMENSIONS ARE IN MILLIMETERS
 SURFACE FINISH:
 TOLERANCES:
 LINEAR:
 ANGULAR:

FINISH:

DEBUR AND
 BREAK SHARP
 EDGES

DO NOT SCALE DRAWING

REVISION

	NAME	SIGNATURE	DATE		
DRAWN					
CHK'D					
APP'VD					
MFG					

TITLE:

5113

Q.A.

MATERIAL:

DWG NO. **Bras AR** A4

WEIGHT:

SCALE: 1:2

SHEET 1 OF 1

1

2

3

4

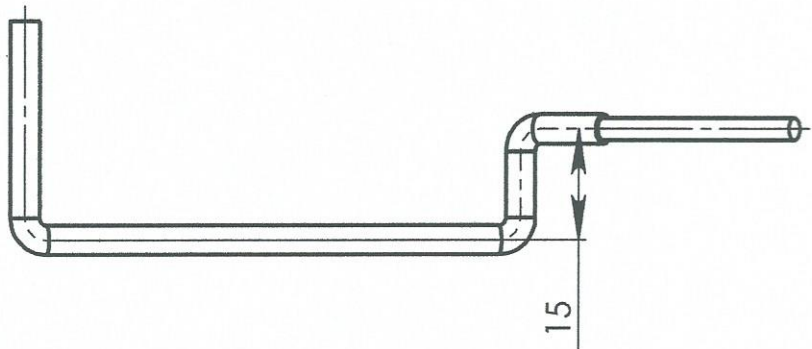
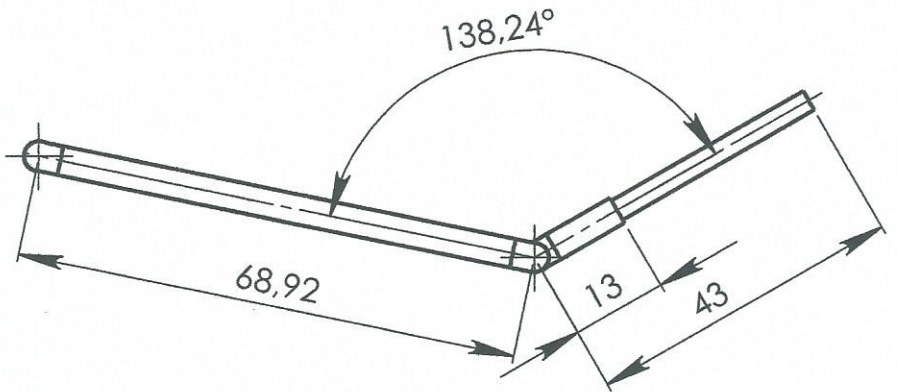
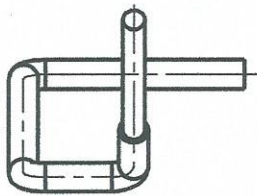
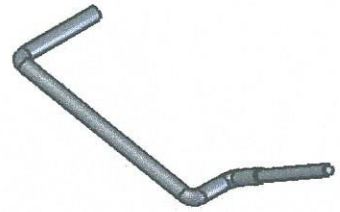
A

B

C

D

E



UNLESS OTHERWISE SPECIFIED:
 DIMENSIONS ARE IN MILLIMETERS
 SURFACE FINISH:
 TOLERANCES:
 LINEAR:
 ANGULAR:

FINISH:

DEBUR AND
 BREAK SHARP
 EDGES

DO NOT SCALE DRAWING

REVISION

	NAME	SIGNATURE	DATE
DRAWN			
CHK'D			
APPV'D			

TITLE:

MFG			
Q.A			

MATERIAL:

DWG NO.

Fourche monobras A4

WEIGHT:

SCALE:1:2

SHEET 1 OF 1

6/13

1

2

3

4

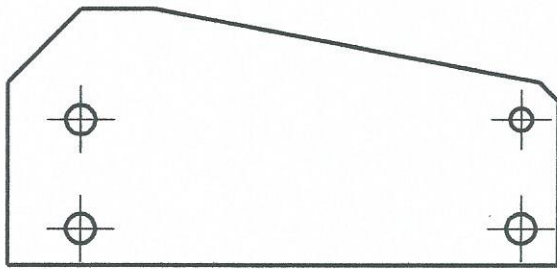
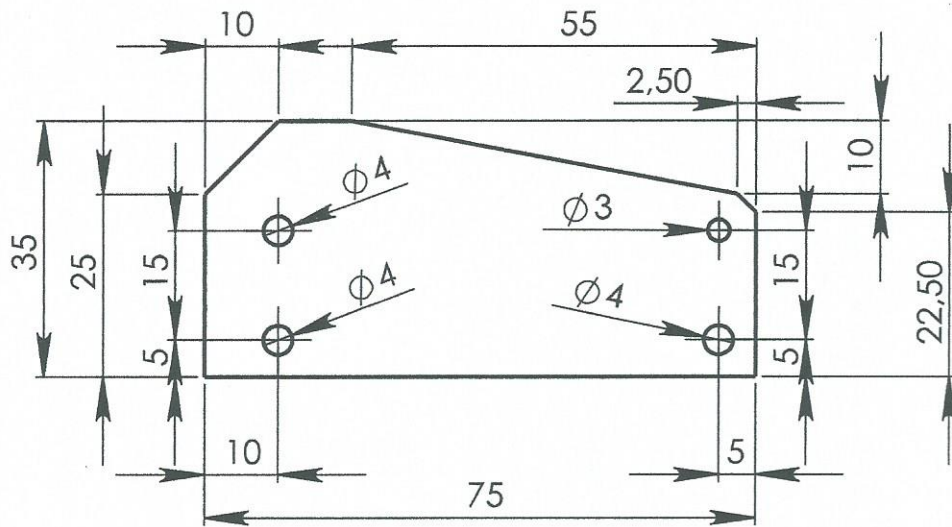
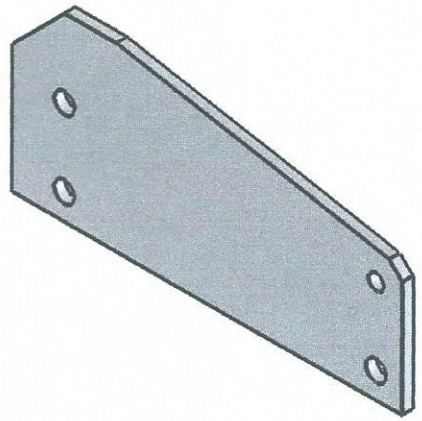
A

B

C

D

E



UNLESS OTHERWISE SPECIFIED:
 DIMENSIONS ARE IN MILLIMETERS
 SURFACE FINISH:
 TOLERANCES:
 LINEAR:
 ANGULAR:

FINISH:

DEBUR AND
 BREAK SHARP
 EDGES

DO NOT SCALE DRAWING

REVISION

	NAME	SIGNATURE	DATE
DRAWN			
CHK'D			
APPV'D			
MFG			

TITLE:

Q.A			

MATERIAL:

DWG NO.

flasque pied mat

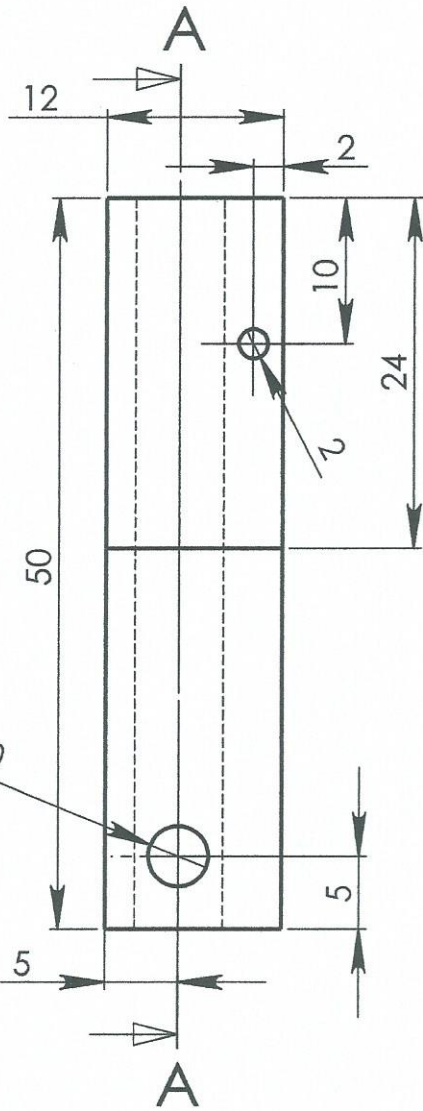
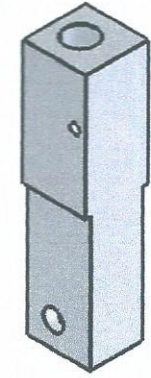
A4

WEIGHT:

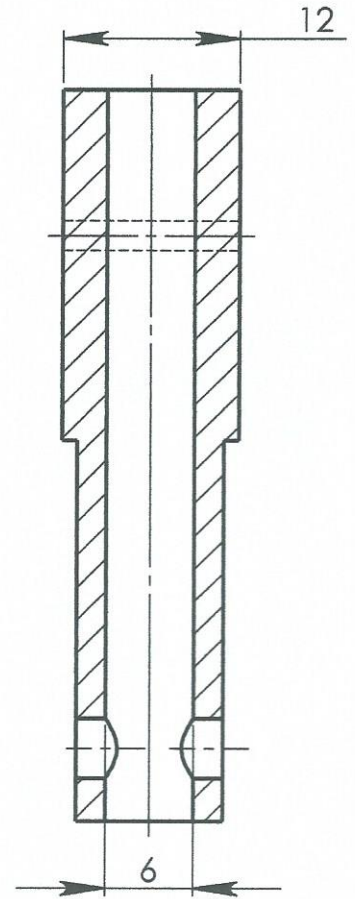
SCALE:1:1

SHEET 1 OF 1

2/13



COUPE A-A



UNLESS OTHERWISE SPECIFIED:
DIMENSIONS ARE IN MILLIMETERS
SURFACE FINISH:
TOLERANCES:
LINEAR:
ANGULAR:

FINISH:

DEBUR AND
BREAK SHARP
EDGES

DO NOT SCALE DRAWING

REVISION

	NAME	SIGNATURE	DATE		
DRAWN					
CHK'D					
APPV'D					
MFG					
Q.A					

TITLE:

DWG NO. **Support mat**

SCALE: 2:1

SHEET 1 OF 1

A4

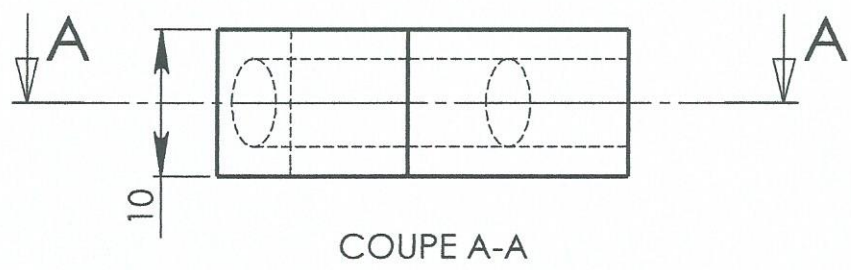
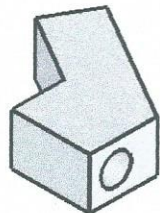
8123

1

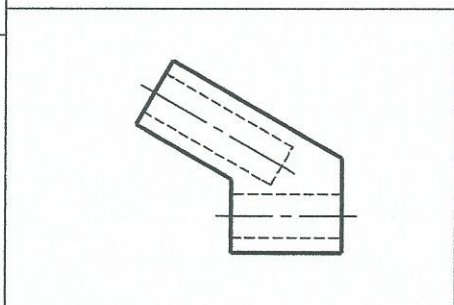
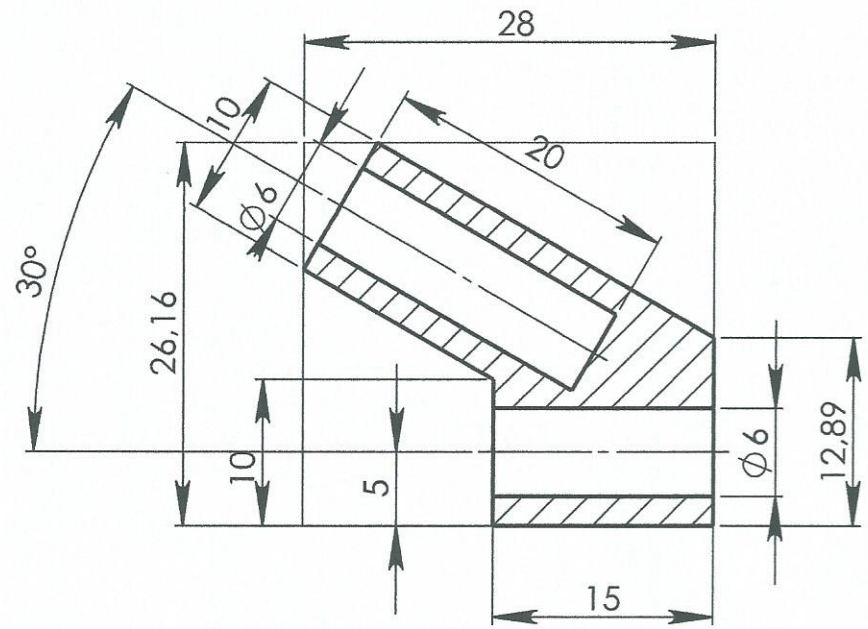
2

3

4



COUPE A-A



UNLESS OTHERWISE SPECIFIED:
 DIMENSIONS ARE IN MILLIMETERS
 SURFACE FINISH:
 TOLERANCES:
 LINEAR:
 ANGULAR:

FINISH:

DEBUR AND
 BREAK SHARP
 EDGES

DO NOT SCALE DRAWING

REVISION

NAME	SIGNATURE	DATE				TITLE:
DRAWN						
CHK'D						
APP'VD						
MFG						

Q.A.				MATERIAL:		DWG NO.
				WEIGHT:		

Fusée AR

A4

9/13

1

2

3

4

A

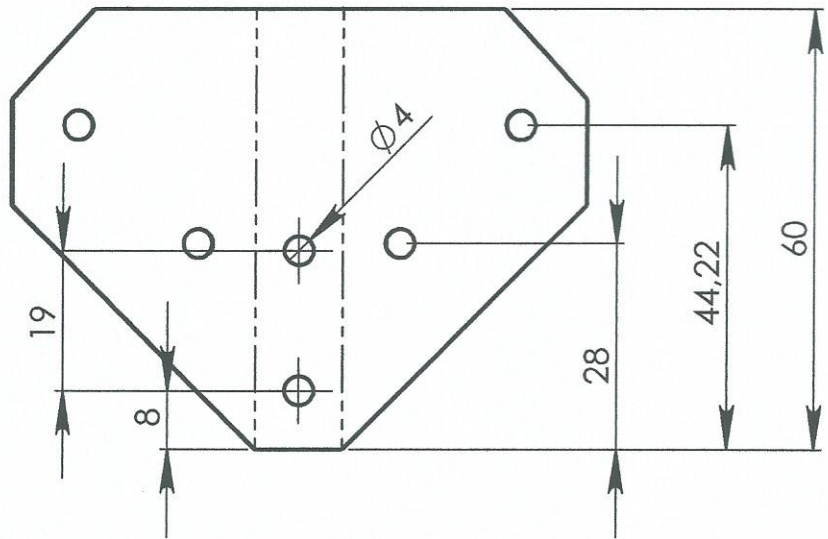
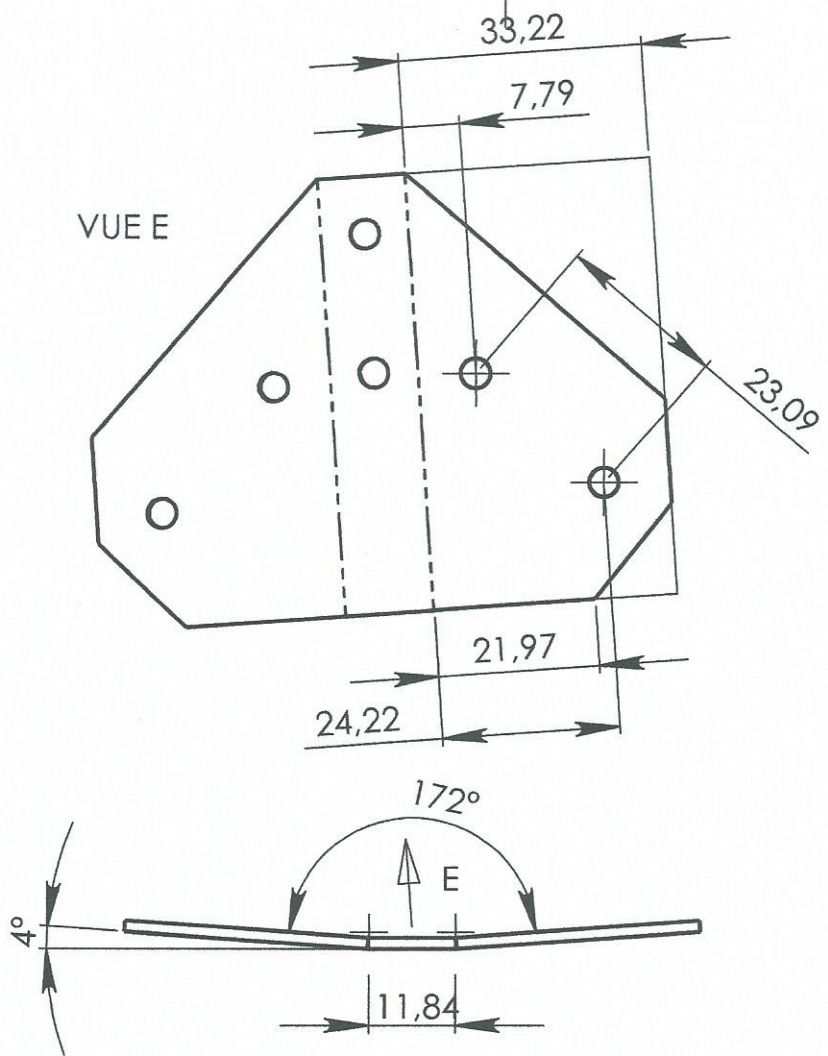
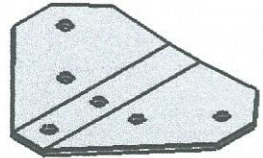
B

C

D

E

VUE E



UNLESS OTHERWISE SPECIFIED:
 DIMENSIONS ARE IN MILLIMETERS
 SURFACE FINISH:
 TOLERANCES:
 LINEAR:
 ANGULAR:

FINISH:

 DEBUR AND
 BREAK SHARP
 EDGES

DO NOT SCALE DRAWING

REVISION

	NAME	SIGNATURE	DATE				
DRAWN							
CHK'D							
APP'VD							
MFG							

TITLE:

10/13

Q.A. MATERIAL:
 WEIGHT:

DWG NO. **Platine arriere pliée bas** A4
 SCALE: 1:1 SHEET 1 OF 1

1

2

3

4

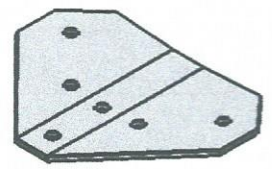
A

B

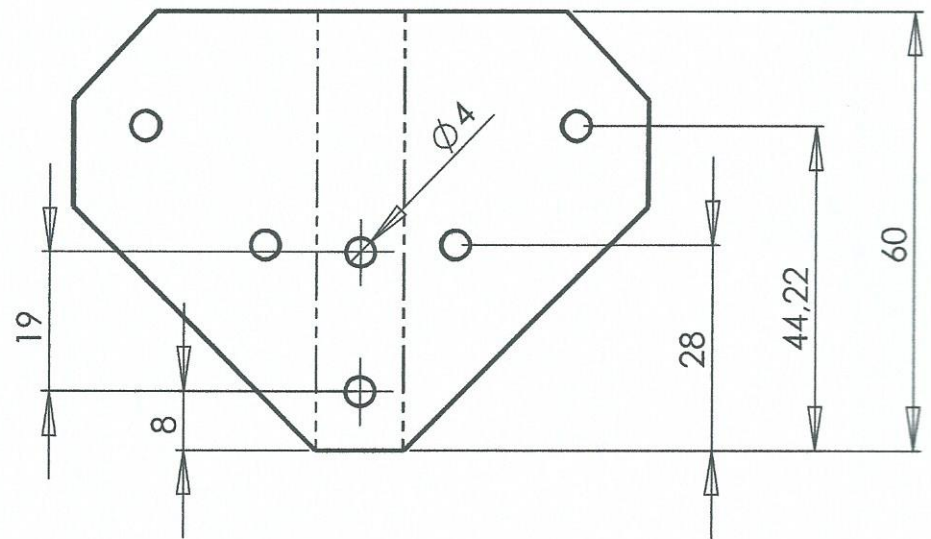
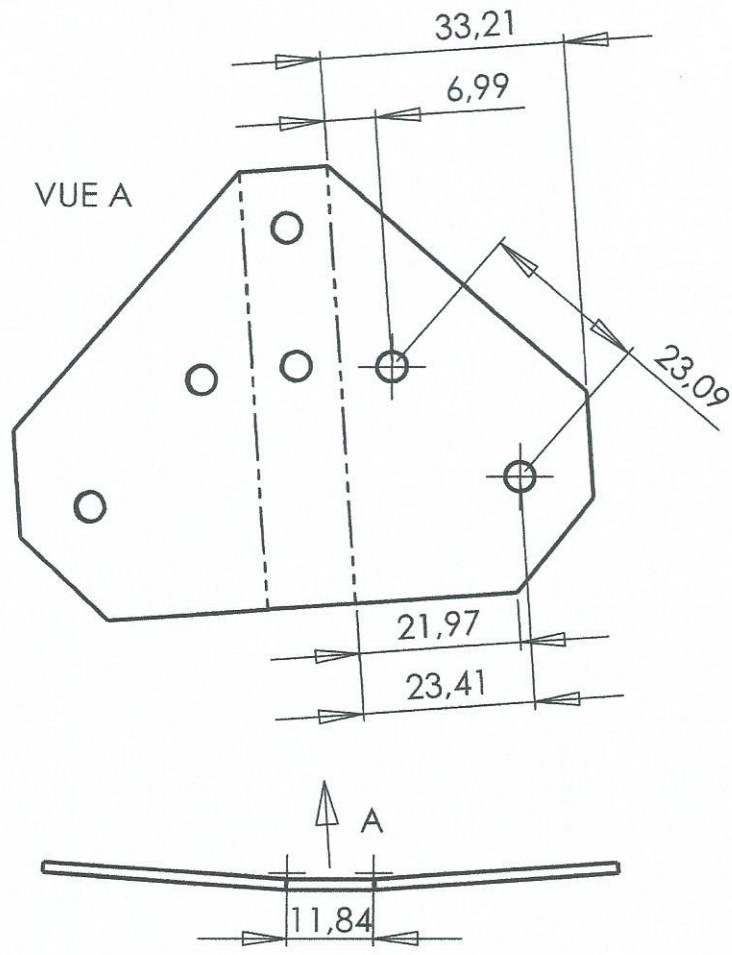
C

D

E



VUE A



UNLESS OTHERWISE SPECIFIED:
 DIMENSIONS ARE IN MILLIMETERS
 SURFACE FINISH:
 TOLERANCES:
 LINEAR:
 ANGULAR:

FINISH:

DEBUR AND
 BREAK SHARP
 EDGES

DO NOT SCALE DRAWING

REVISION

	NAME	SIGNATURE	DATE		
DRAWN					
CHK'D					
APP'VD					
MFG					
G.A.				MATERIAL:	
				WEIGHT:	

TITLE:		A4
Platine arriere pliée haut		
DWG NO.	SCALE: 1:1	SHEET 1 OF 1

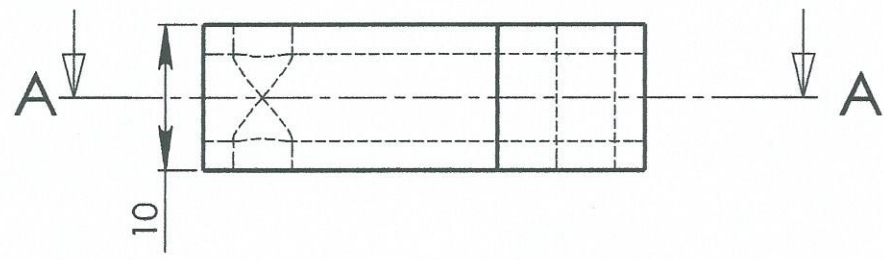
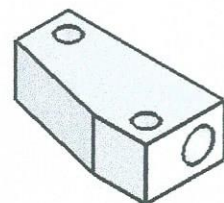
11/13

1

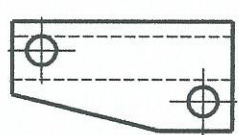
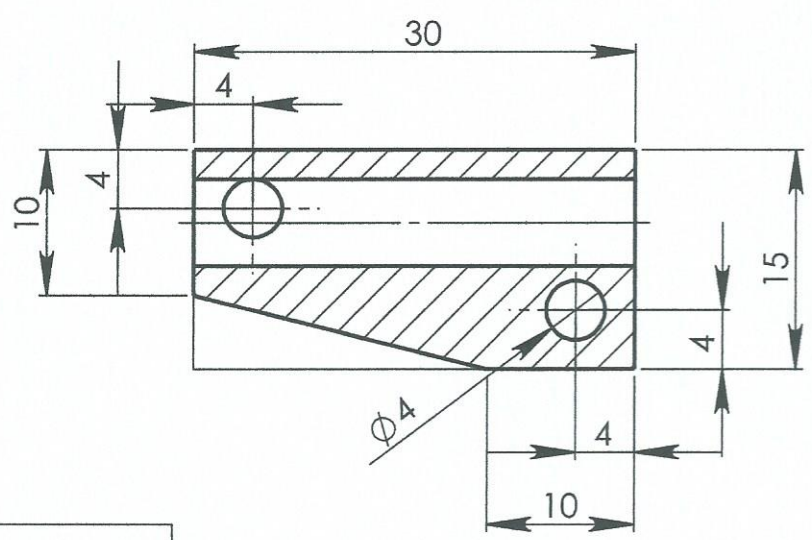
2

3

4

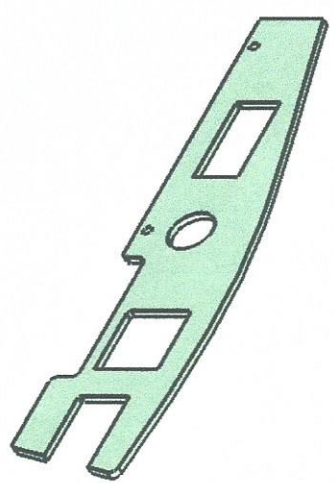
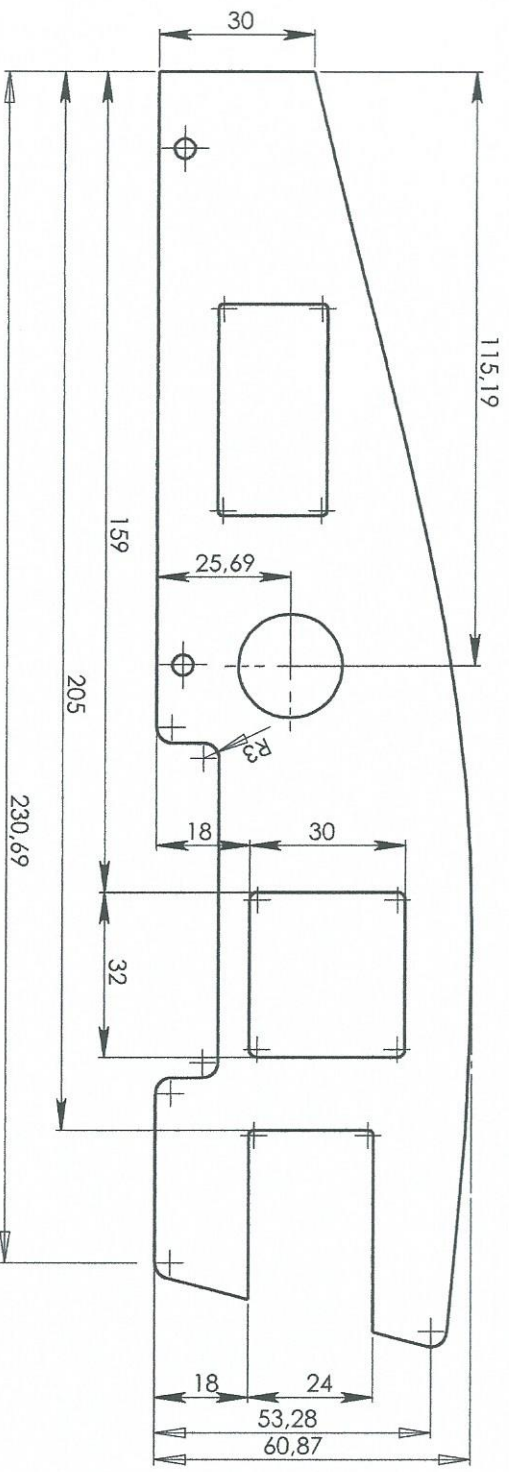
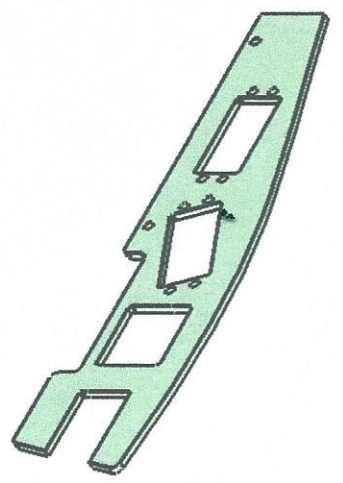
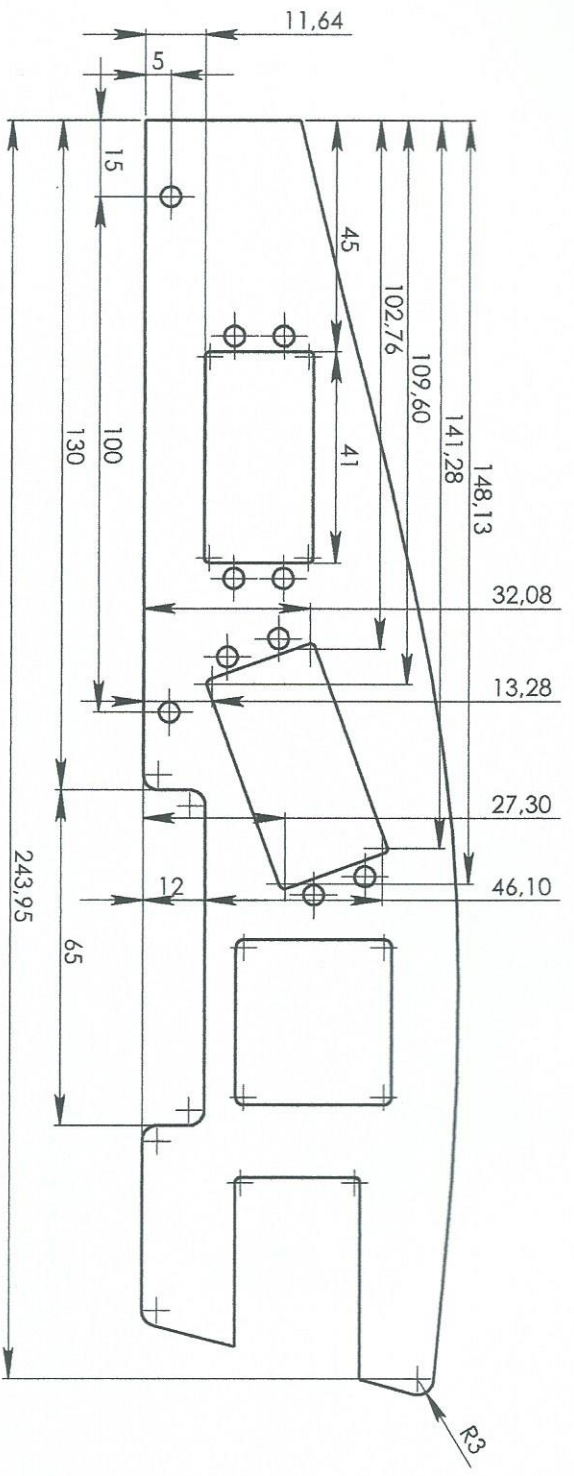


COUPE A-A



UNLESS OTHERWISE SPECIFIED: DIMENSIONS ARE IN MILLIMETERS SURFACE FINISH: TOLERANCES: LINEAR: ANGULAR:		FINISH:		DEBUR AND BREAK SHARP EDGES		DO NOT SCALE DRAWING		REVISION	
DRAWN		SIGNATURE		DATE		TITLE:			
CHK'D									
APP'VD									
MFG									
Q.A				MATERIAL:		DWG NO.		Support bras AR	
						SCALE:2:1		A4	
				WEIGHT:		SHEET 1 OF 1			

12/13



UNLESS OTHERWISE SPECIFIED:		FINISH	DRAUGHTING AND BREAK SHARP EDGES
DIMENSIONS ARE IN MILLIMETERS			
TOLERANCES:			
FRACTIONS:			
DECIMALS:			
ANGLES:			

NO.	NAME	SIGNATURE	DATE
DRAWN			
CHECKD			
APPROV			
W/C			
Q.A			

DO NOT SCALE DRAWING		REVISION
TITLE:		
DWG NO:	Corps cellule	
SCALE: 1:2	SHEET 1 OF 1	
A3		

13/13