

Sheet: Alimentation

File: file572C8120.sch

Sheet: Entrée USB

File: file572C8D2B.sch

Sheet: Capteurs

File: file57335583.sch

Sheet: Gestion données

File: file5730D5A1.sch

Sheet: Lecteur micro SD

File: file5732F02B.sch

Sheet: GPS

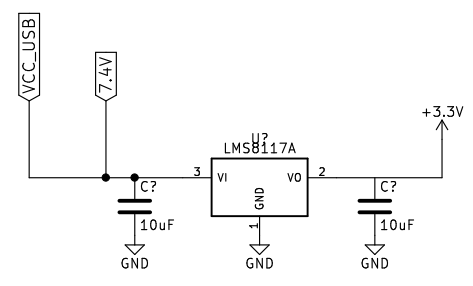
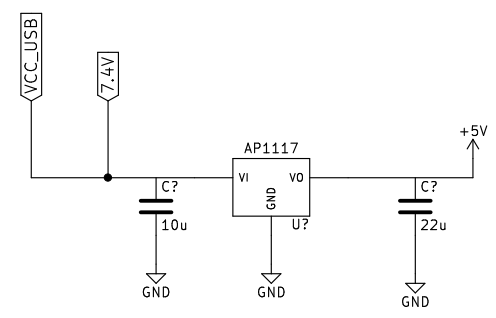
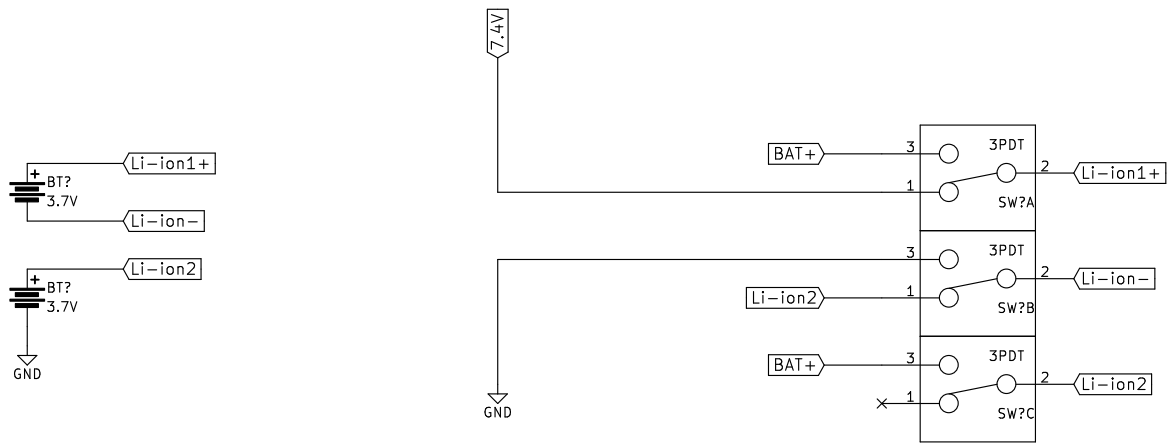
File: file573F0BEA.sch

Sheet: /
File: MouVIE.sch

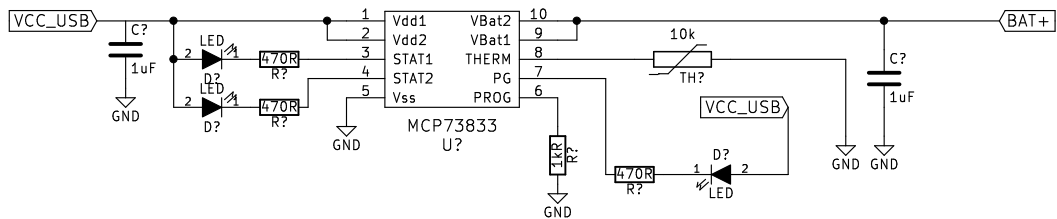
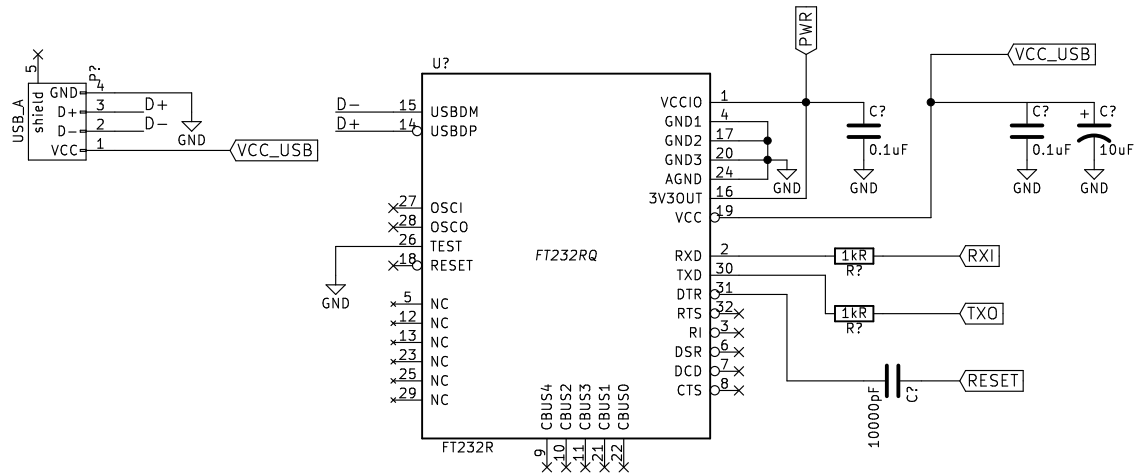
Title:

Size: A4 Date:
KiCad E.D.A. kicad 4.0.1-stable

Rev:
Id: 1/8



Sheet: /Alimentation/		
File: file572C8120.sch		
Title:		
Size: A4	Date:	Rev:
KiCad E.D.A. kicad 4.0.1-stable		Id: 2/8



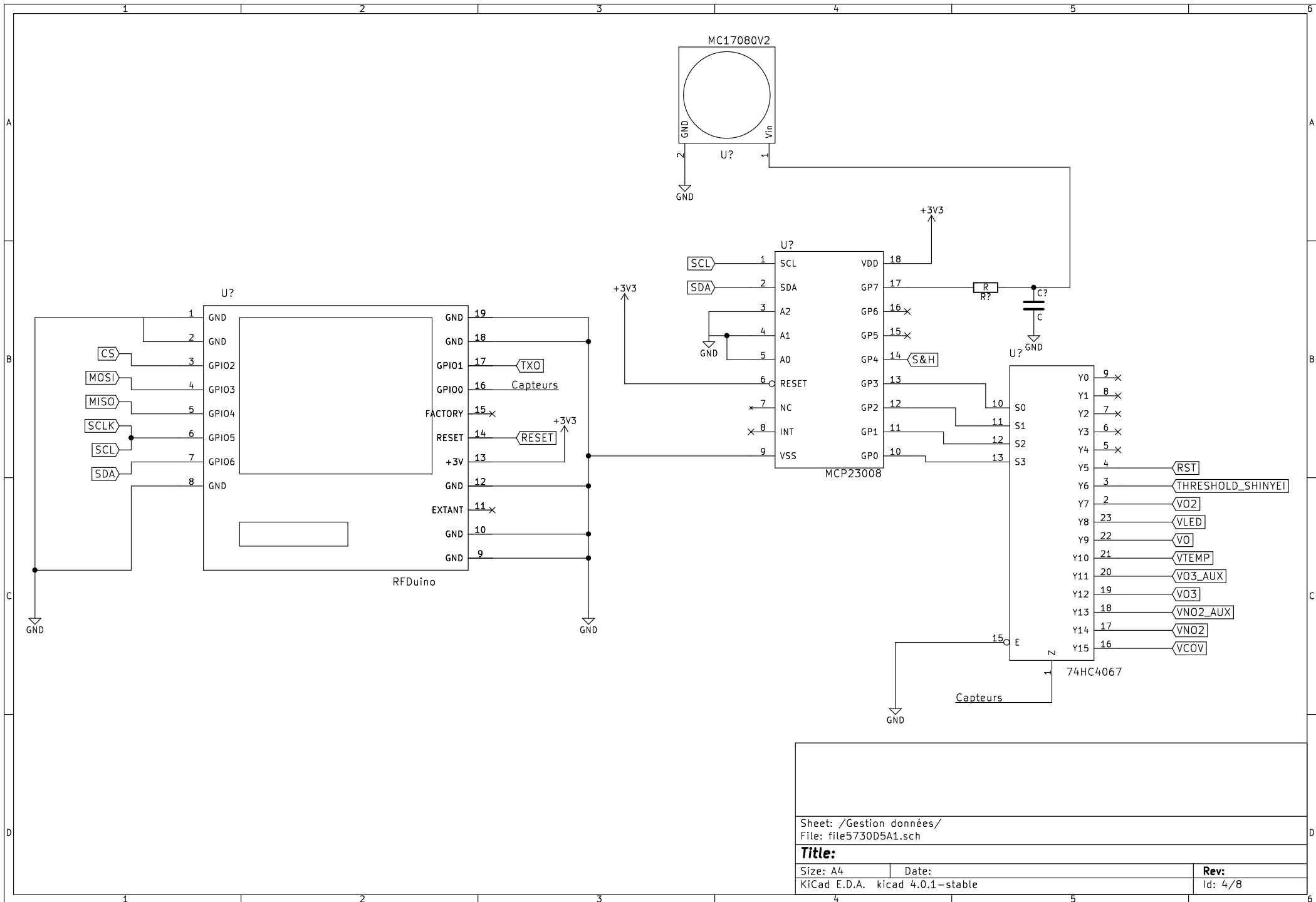
Sheet: /Entrée USB/
 File: file572C8D2B.sch

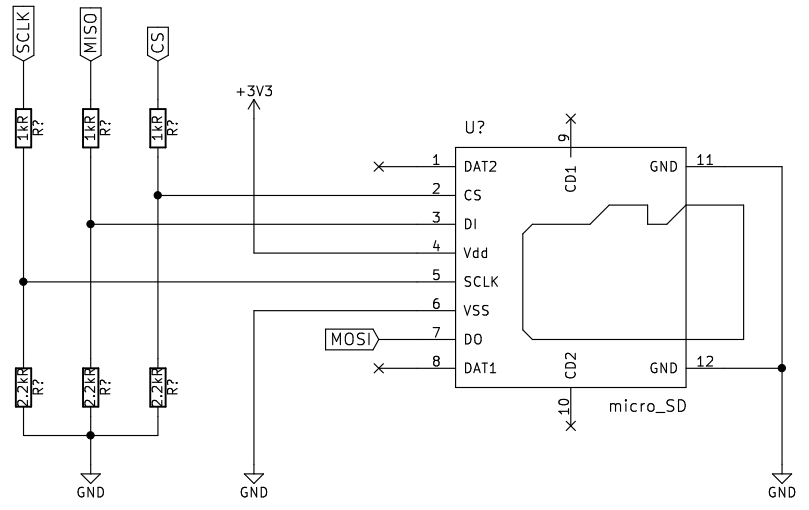
Title:

Size: A4
 KiCad E.D.A. kicad 4.0.1-stable

Date:

Rev:
 Id: 3/8





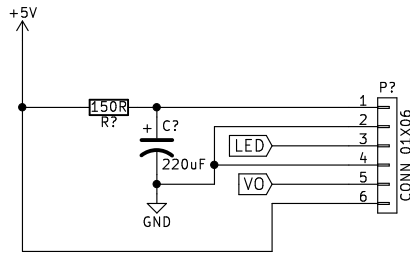
Sheet: /Lecteur micro SD/
 File: file5732F02B.sch

Title:

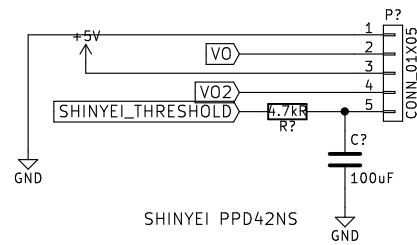
Size: A4
 KiCad E.D.A. kicad 4.0.1-stable

Date:

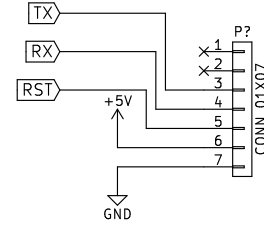
Rev:
 Id: 5/8



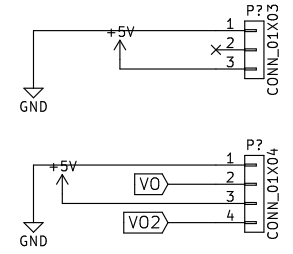
SHARP GP2Y1010AU



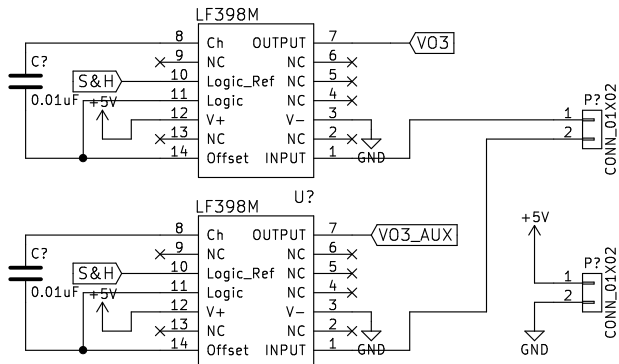
SHINYEI PPD42NS



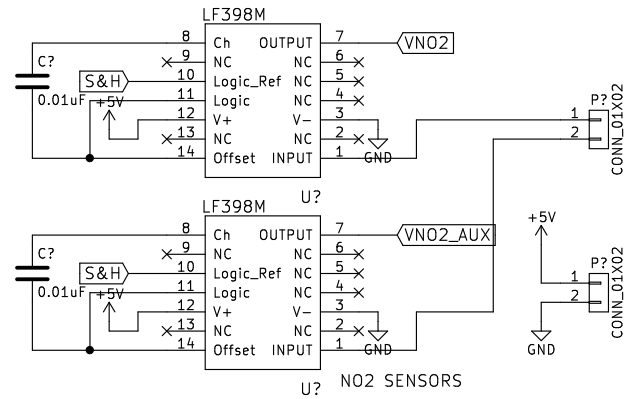
DFROBOT



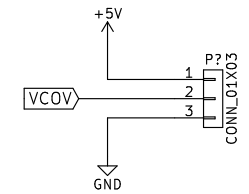
SHINYEI PPD60PV



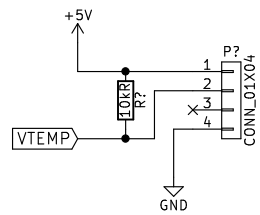
O3 SENSORS U? NO2 SENSORS



NO2 SENSORS



COV SENSORS



TEMPERATURE HUMIDITY SENSOR

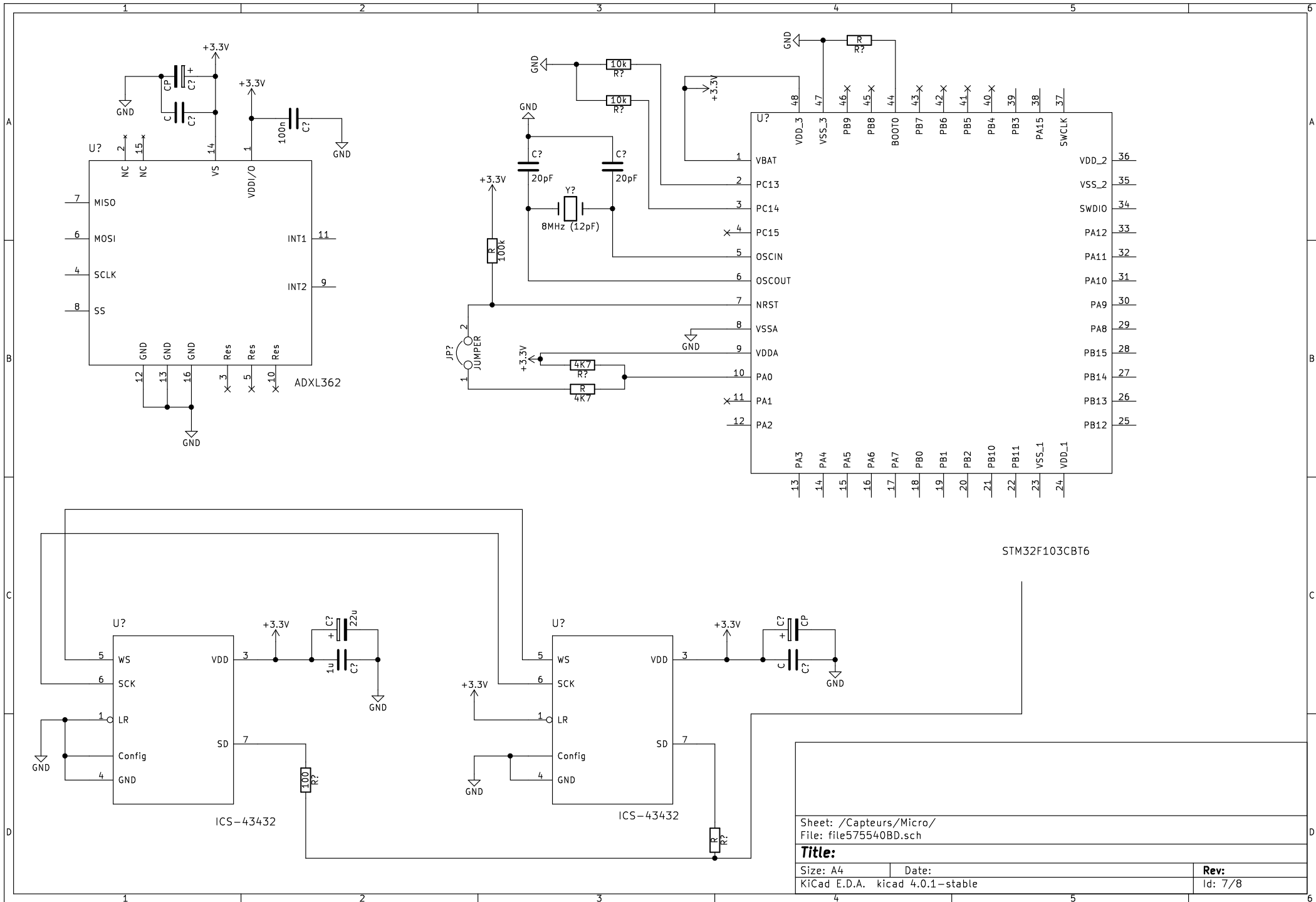
Sheet: Micro
File: file575540BD.sch

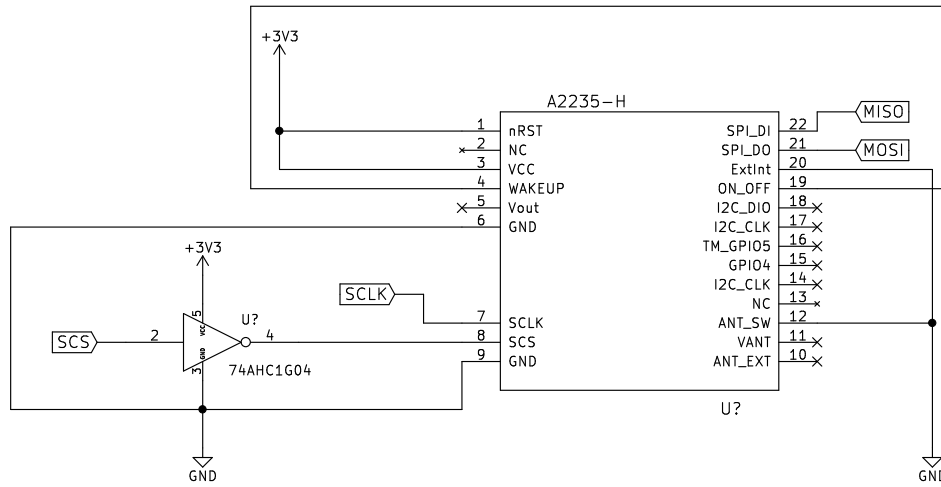
Sheet: /Capteurs/
File: file57335583.sch

Title:

Size: A4 Date:
KiCad E.D.A. kicad 4.0.1-stable

Rev:
Id: 6/8





Sheet: /GPS/
 File: file573F0BEA.sch

Title:

Size: A4
 KiCad E.D.A. kicad 4.0.1-stable

Date:

Rev:
 Id: 8/8